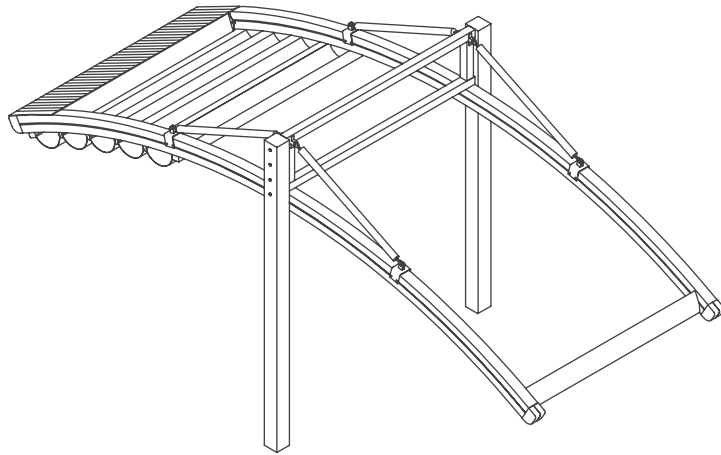


# Tw99

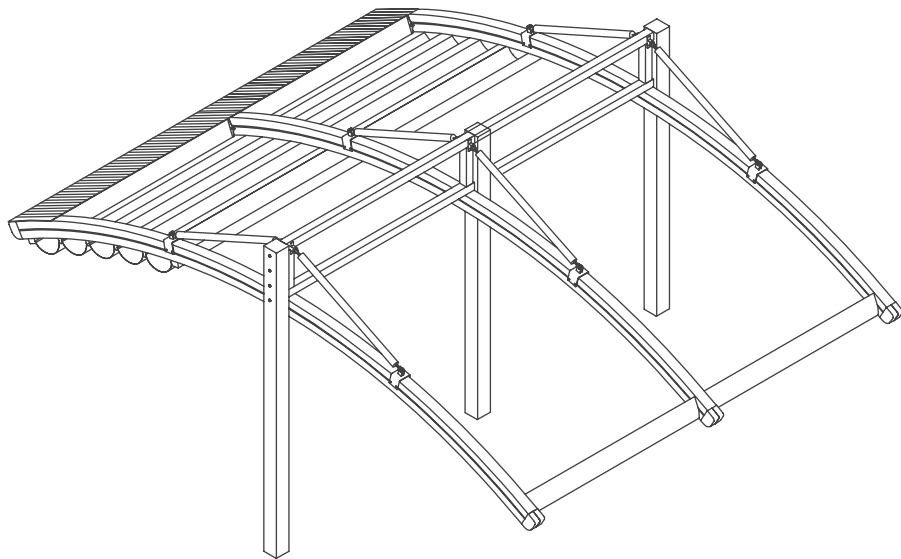
## One Module

200 cm > 400 cm  
One Module with 1 motor & 2 rafters



## Two Modules

400 cm > 800 cm  
One Module with 1 motor & 3 rafters



**Three Modules**

800 cm > 900 cm  
One Module with 2 motors & 4 rafters

