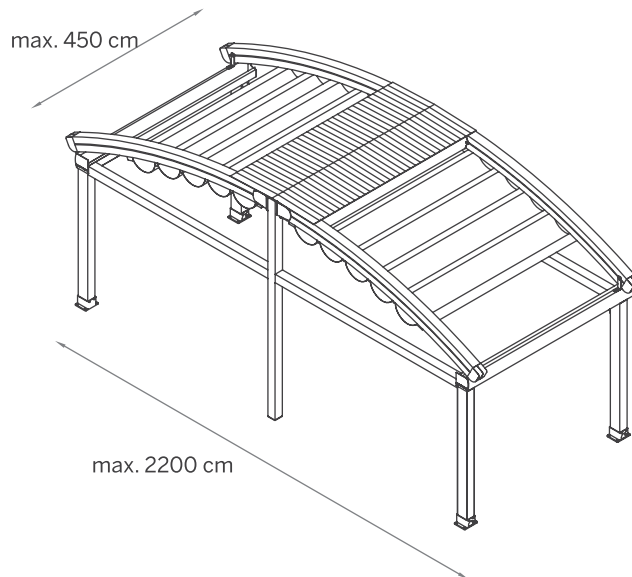


# Tw33

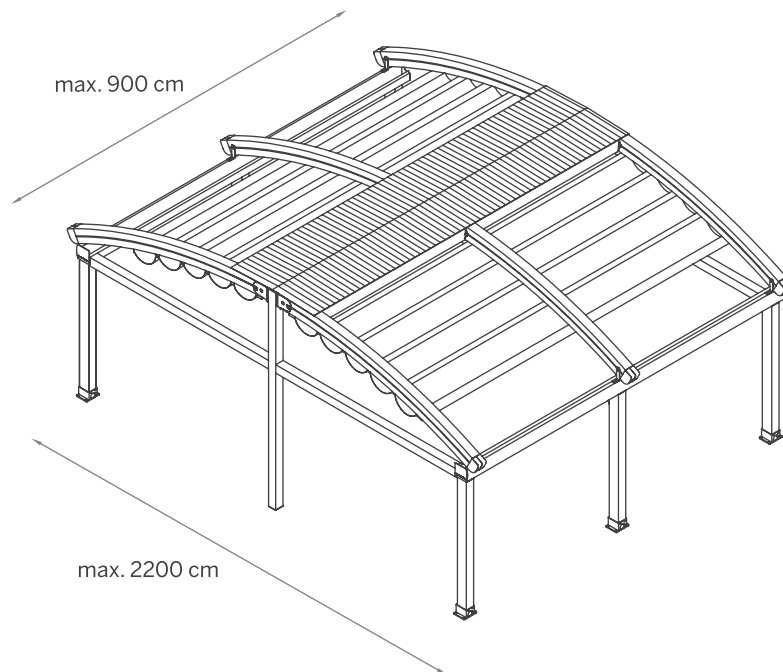
## One Module

200 cm > 450 cm  
One Module with 2 motors & 4 rafters



## Two Modules

450 cm > 900 cm  
Two Modules with 2 motors & 6 rafters



**Three Modules**

900 cm > 1300 cm  
Three Modules with 4 motors & 8 rafters

